



HD/1,280 x 960 H.264 Weather Proof Camera featuring Optical 36x zoom and Super Dynamic

Key Features

- 720p HD images up to 30 fps
- Newly developed 1.3 Megapixel double speed MOS Sensor
- Multiple H.264 (High profile) streams and JPEG streams ensure simultaneous real time monitoring and high resolution recording by "UniPhier[®]", Panasonic's proprietary System LSI platform.
- Full frame (Up to 30 fps) transmission at 1,280 x 960 image size
- **36x optical zoom** with 12x digital zoom enabling 432x zoom.
72x extra optical zoom at VGA resolution with 12x digital zoom enabling 864x zoom.
- **Super Dynamic** and ABS (Adaptive Black Stretch) technologies deliver 128x wider dynamic range compared with conventional cameras.
- **Face Super Dynamic** technology ensures clear face image.
- H.264 and MPEG-4 are selectable for system migration.
- High sensitivity with Day/Night function : 0.5 lx (Color), 0.06 lx (B/W) at F1.4 (Wide)
- Adaptive Digital Noise Reduction : 2D-DNR and 3D-DNR integration ensures reduced noise and motion blur in various conditions.
- Superior color reproduction by primary (RGB) color filter
- Electronic sensitivity enhancement : Auto (Up to 16x) / OFF
- Selectable light control modes: Outdoor / Indoor / Fixed electronic shutter
Outdoor / Indoor : Electronic shutter and ALC lens iris control are automatically controlled depending on the mode and luminance level.
Fixed electronic shutter: Up to 1/10,000 fixed electronic shutter can be selectable.
- **360 degrees endless Panning**
- Advanced auto tracking : The camera automatically pans and tilts to follow a moving subject and keep it in the center of the image.
- PTZ control can be taken very smoothly on the user friendly GUI with 16 speeds pan/tilt and new "Drag and Zoom" operation enabling finer control. 256 speeds available for system with WV-CU950 system controller.
- Up to 256 preset positions
- 360 map shot: 8 thumbnail images at 45 deg. intervals make it simple to direct the camera easily by clicking on a thumbnail.
- Industrial grade Pan/Tilt/Zoom mechanism for high reliability
- VMD (Video Motion Detection) with 4 programmable detection areas, 15 steps sensitivity level and 10 steps detection size
- Privacy Zone can mask up to 8 private areas, such as house windows and entrances/exits.
- Alarm sources including 3 terminal input, VMD and Panasonic alarm command can trigger actions such as SDHC/SD memory recording, FTP image transfer, E-mail notification, Indication on browser, Alarm terminal output, and Panasonic protocol output.
- Full duplex bi-directional audio allows interactive communication between camera site and monitoring site.

- JPEG image compression ratio can be changed by alarm so that higher quality image can be provided.
- Prioritized stream control : One of the video streams can be prioritized when multiple recorders or client PCs are accessing the camera so that the recorder or the client PC can maintain the frame rate.
- SDHC/SD Memory card slot for manual recording (H.264 / JPEG), alarm recording (H.264 / JPEG) and backup upon network failure (JPEG)
- H.264/MPEG-4 max. bit rate/client and Total bit rate control allows flexible network traffic management. Frame rate priority mode controls bit rate and compression ratio to provide the specified frame rate.
- Multi-language : English / Italian / French / German / Spanish / Russian / Chinese / Japanese
- IPv4 / IPv6 protocol supported
- Analog Monitor output for easier installation
- Supports SSL, DDNS (viewnetcam, RFC2136)
- Still images (JPEG) can be viewed on mobile phones via Internet.
- Onvif compliant model
- IP66 rated water and dust resistant. Compatible with IEC60529 measurement standard, Type 4(UL50), NEMA 4 compliant.
- Dehumidification device for use in various weather conditions
- Built-in fan/heater/sun shield for temperature changes of -50 °C ~ +55 °C (-58 °F ~ +131 °F) (24 V AC), -30 °C ~ +55 °C (-22 °F ~ 131 °F) (PoE+)
- Supports Power over Ethernet Plus (PoE+) IEEE 802.3at(Type2 compliant, Class 4 device)
* Does not support IEEE802.3af
- **Rain wash coating dome cover (WV-SW396A)**
- Fog and sandstorm compensation

Standard Accessories

- CD-ROM*1 1 pc.
 - Installation Guide..... 1 pc.
 - Front/Rear Sun Shield Fixing Screws 2 pcs. (incl. 1 spare)
 - Code Label*2 1 pc.
- The followings are for installation.
- 8P Alarm Cable 1 pc.
 - Connector Kit for 24 V AC 1 pc.
 - Front/Rear Sun Shield 1 set
- *1 The CD-ROM contains the operating instructions (PDFs) and different kinds of tool software programs.
*2 This label may be required for network management. The network administrator shall retain the code label.

Optional Accessory

Wall Mount Bracket
WV-Q122 , WV-Q122A



* This catalog is provided for all over the world. Some accessories may not be available in some countries.

- User License Accessory (For MPEG-4)
BB-HCA5A (NTSC model)
BB-HCA5CE (PAL model, Korea)*
 - User License Accessory (For H.264)
BB-HCA8A (NTSC model)
BB-HCA8CE (PAL model, Korea)*
- * Required in Korea.

Specifications

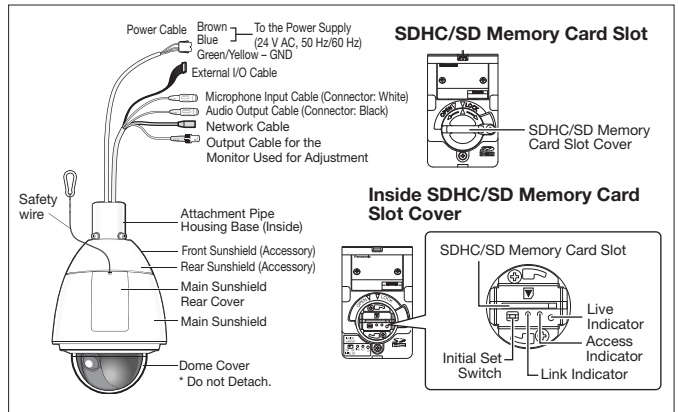
TV System	NTSC	PAL		
Camera	Image Sensor	1/4 type MOS Sensor		
	Effective Pixels	Approx. 1.3 megapixel		
	Scanning Mode	Progressive scan		
	Scanning Area	3.6 mm (H) x 2.7 mm (V) [5/32 inches (H) x 11/100 inches (V)]		
	Minimum Illumination	Color : 0.5 lx, B/W : 0.06 lx at F1.4 (Shutter : 1/30 s, AGC : High), Color : 0.031 lx, B/W : 0.004 lx at F1.4 (Shutter : 16/30 s, AGC : High)		
	White Balance	AWC (2,000 - 10,000 K), ATW1 (2,700 - 6,000 K), ATW2 (2,000 - 6,000 K)		
	Light Control Mode	Indoor scene (50 Hz / 60 Hz) / Outdoor scene / Fix shutter		
	Shutter Speed	Fix shutter : OFF (1/30), 3/100, 3/120, 2/100, 2/120, 1/100, 1/120, 1/250, 1/500, 1/1,000, 1/2,000, 1/4,000, 1/10,000		
	Super Dynamic	On/Off		
	Face Super Dynamic	On/Off (only when Super Dynamic : On)		
	Dynamic Range	52 dB typical (Super Dynamic : On, Light Control mode : Indoor)		
	Adaptive Black Stretch	On/Off		
	Fog compensation	On/Off		
	AGC	On (Low) / On (Mid), On (High) / Off		
	Electronic Sensitivity UP	OFF, max. 2/30 s, max. 4/30 s, max. 6/30 s, max. 10/30 s, max. 16/30 s		
	Black and White Mode	Mode : AUTO1 / AUTO2 / AUTO3 / On/Off		
	Digital Noise Reduction	High / Low		
	Video Motion Detection	4 areas, Sensitivity : 15 steps, Detection size : 10 steps		
	Privacy Zone	Up to 8 zones, Gray / Mosaic		
	Auto Image Stabilizer	On/Off		
	Camera Title (OSD)	Up to 20 alphanumeric characters (3 selectable character sizes)		
	Focal Length	3.3 mm - 119 mm		
	Zoom Ratio	36x / 72x with extra optical zoom (at VGA)		
Digital (Electronic) Zoom	12x (Max. 864x combined with extra optical zoom at VGA)			
Angular Field of View	H : 1.7° (Tele) - 60.2° (Wide), V : 1.3° (Tele) - 46.0° (Wide)			
Maximum Aperture Ratio	1 : 1.4 (Wide) - 4.8 (Tele)			
Focusing Range	2.0 m - ∞			
Aperture Range	F1.4 - 22, Close			
Panning Range	360° endless			
Panning Speed	Manual : approx. 0.065°/s - 120°/s, Up to 256 steps (depending on the controller) Preset : up to approx. 400°/s			
Tilting Range	-15° - 185° (upward-level-downward)			
Tilting angle limit	10° / 5° / 3° / 0° / -3° / -5° / -10° / -15°			
Tilting Speed	Manual : approx. 0.065°/s - 120°/s, Up to 256 steps (depending on the controller) Preset : up to approx. 400°/s			
Proportional Pan/Tilt Control	Yes			
Number of Preset Positions	256			
Auto Mode	preset sequence / auto pan / auto track / patrol			
Image Hold	On/Off			
PTZ Position Display	On/Off			
Self Return	10 s / 20 s / 30 s / 1 min / 2 min / 3 min / 5 min / 10 min / 20 min / 30 min / 60 min			
Map Shot	360° map shot / preset map shot			
Browser GUI	Camera Control	Pan/Tilt (16 steps), Zoom, Focus, Click centering, Drag zoom, Iris, Preset position call and program, Auto mode		
	Display Mode	Spot, Quad : Image from 16 cameras can be displayed in 4 different Quad screens or 16 split screen (JPEG only), 20 characters camera title available.		
	Camera Title	Up to 20 alphanumeric characters		
	Clock Display	Time : 12H / 24H, Date : 5 formats on the browser, Summer time (Manual/AUTO)		
	Alarm Control	Reset		
	One Shot Capture	A still picture will be displayed on a newly opened window.		
	Audio	Mic (Line) Input : On/Off Volume adjustment : Low / Middle / High Audio Output : On/Off Volume adjustment : Low / Middle / High		
	SD Memory Data Download	Still or motion images recorded in the SDHC/SD memory card can be downloaded.		
	GUI/Setup Menu Language	English, French	English, French, Italian, Spanish, German, Russian (Installation required except for English)	
	System Log	Up to 100 (Internal), Up to 4,000 (SDHC/SD memory when the recording format is set to JPEG.) error logs		
	Supported OS *1	Microsoft® Windows® 8.1, Microsoft® Windows® 8, Microsoft® Windows® 7, Microsoft® Windows Vista®, Microsoft® Windows® XP SP3		
	Supported Browser	Windows® Internet Explorer® 11 (32 bit) Windows® Internet Explorer® 10 (32 bit) Windows® Internet Explorer® 9 (32 bit) Windows® Internet Explorer® 8 (32 bit) Microsoft® Internet Explorer® 7 (32 bit)		
Network	Network IF	10Base-T / 100Base-TX, RJ45 connector		
	Image Resolution *2 *3	Aspect ratio: [4 : 3]	H.264 : 1,280 x 960 / 800 x 600 / VGA (640 x 480) / QVGA (320 x 240), up to 30 fps MPEG-4 : VGA (640 x 480) / QVGA (320 x 240), up to 30 fps JPEG (MJPEG) : 1,280 x 960 / 800 x 600 / VGA (640 x 480) / QVGA (320 x 240), up to 30 fps	
		Aspect ratio: [16 : 9]	H.264 : 1,280 x 720 / 640 x 360 / 320 x 180, up to 30 fps JPEG (MJPEG) : 1,280 x 720 / 640 x 360 / 320 x 180, up to 30 fps	
	H.264/ MPEG-4 *2	Transmission Mode	Constant bitrate / Framerate priority / Best effort	
		Frame Rate	1 / 3 / 5 / 7.5 / 10 / 12 / 15 / 20 / 30 fps	
	JPG (MJPEG)	Bit Rate/Client	64 / 128 / 256 / 384 / 512 / 768 / 1,024 / 1,536 / 2,048 / 3,072 / 4,096 / 8,192 kbps / Unlimited * H.264 mode only	
		Image Quality	Low / Normal / Fine	
	JPG (MJPEG)	Refresh Interval	0.2 s / 0.25 s / 0.33 s / 0.5 s / 1 s / 2 s / 3 s / 4 s / 5 s	
		Transmission Type	Unicast / Multicast	
	JPG (MJPEG)	Image Quality	10 steps	
	JPG (MJPEG)	Transmission Type	Pull / Push	
	Audio Compression	G.726 (ADPCM) 32 kbps / 16 kbps, G.711 64 kbps		
Audio Mode	Off / Mic (Line) input / Audio output / Interactive (Half duplex) / Interactive (Full duplex)			
Authentication for Audio	Level 1 only / Level 2 higher / All users			
Total Bit Rate	64 / 128 / 256 / 384 / 512 / 768 / 1,024 / 2,048 / 4,096 / 8,192 kbps / Unlimited			
Supported Protocol	IPv6 : TCP/IP, UDP/IP, HTTP, HTTPS, RTP, FTP, SMTP, DNS, NTP, SNMP, DHCPv6, ICMP, ARP IPv4 : TCP/IP, UDP/IP, HTTP, HTTPS, RTSP, RTP, RTP/RTCP, FTP, SMTP, DHCP, DNS, DDNS, NTP, SNMP, UPnP, IGMP, ICMP, ARP			

* Masses and dimensions are approximate. * Specifications are subject to change without notice.

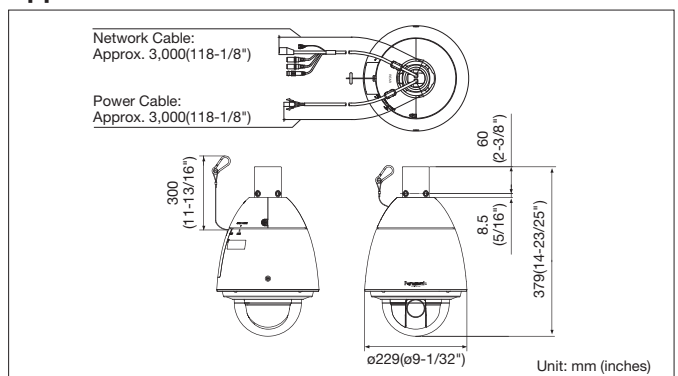
TV System	NTSC	PAL	
Network	FTP Client	Alarm image transfer, Periodic image transfer (When the FTP periodic transmission is failed, backup on an optional SDHC/SD memory card is available.) Up to 14 users (Depends on network conditions)	
	No. of Simultaneous Users	Up to 14 users (Depends on network conditions)	
SDHC/SD Memory Card (Option)	H.264 recording : Manual REC / Alarm REC (Pre/Post) / Schedule REC		
	JPEG recording : Manual REC / Alarm REC (Post) / Backup upon network failure Compatible SD (SDHC) card : Panasonic 256 MB, 512 MB, 1 GB, 2 GB, 4 GB*, 8 GB*, 16 GB*, 32 GB* model * SDHC card		
Cellular Phone Compatibility	JPEG image, panning / tilting / zoom control, AUX control (by access level)		
	Mobile Terminal Compatibility*6 iPad, iPhone, iPod touch (iOS 4.2.1 or later) Android™ mobile terminals		
Alarm	Alarm Source	3x Terminal inputs, VMD, Command alarm, Auto track	
	Alarm Actions	SD memory recording, E-mail notification, Indication on browser, Camera positioning, Preset position 1 - 64, FTP image transfer, Terminal output, Panasonic protocol output, Auto track	
Alarm Log	With SD memory card: 5,000 logs, Without SD memory card: 1,000 logs		
	Schedule Alarm/VMD/Access permission, Preset position call, Position refresh, H.264 recording		
Input / Output	Monitor Output (for adjustment)	1.0 V [P-P] / 75 Ω, NTSC composite, 1.0 V [P-P] / 75 Ω, PAL composite, BNC	
	Microphone/Line Input	MIC IN and Line IN are selectable. ø3.5 mm monoaural mini jack (Applicable microphone: Plug-in power type), Supply voltage: 2.5 V ±0.5 V, Input impedance: approx. 2 kΩ	
Audio Output	ø3.5 mm stereo mini jack (monoaural output) Line level		
	External I/O Terminals	ALARM IN 1 (DAY/NIGHT IN), ALARM IN 2 (ALARM OUT), ALARM IN 3 (AUX OUT)	
General	Safety/EMC Standard	UL (UL60965-1), FCC (Part15 ClassA), C-UL (CAN/CSA C22.2 No.60950-1), DOC (ICES003 ClassA)	CE (EN55022 ClassB, EN55024)
	Power Source/Consumption	24 V AC (50 Hz / 60 Hz) : approx. 43 W Heater On PoE Plus: approx. 24.0 W (IEEE802.3at Type2 compliant, Class 4 device) Heater On	
Ambient Operating	-50 °C ~ +55 °C (-58 °F ~ 131 °F) (24 V AC) *4,5 -30 °C ~ +55 °C (-22 °F ~ 131 °F) (PoE Plus), 90 % or less (without condensation)		
Impact Protection	IEC 62262:2002 IK10 (Impact energy 20J)		
Water and Dust Resistance	IP66 rated water and dust resistant. Compatible with IEC60529 measurement standard, Type 4 (UL50), NEMA 4 compliant.		
Dimensions	ø229 mm x 379 mm (H) [ø9-1/32" x 14-23/32"(H)], Diameter of the dome : 150 mm (5-29/32")		
Mass (approx.)	4.6 kg (10.15 lbs.)		

*1 Microsoft Windows 7 Starter, Microsoft Windows Vista Starter and Microsoft Windows XP Professional 64-bit Edition are not supported. *2 H.264 and MPEG-4 are alternative. *3 [4 : 3] and [16 : 9] are alternative. *4 When used with a continuous power supply (camera internal temperature must be above -10°C, and installation and startup should be done at above -30°C.) *5 When using this product at temperatures of -40°C or below, use the power supply between 24 V AC and 27 V AC. *6 For further information about compatible devices, refer to our website (<http://security.panasonic.com/ps/security/support/info.html>).

Part Names and Functions



Appearance



Trademarks and registered trademarks

- Microsoft, and Windows are registered trademarks of Microsoft Corporation in the U.S. and other countries.
- iPad, iPhone and iPod touch are registered trademarks of Apple Inc.
- UniPhier is a registered trademark of Panasonic Corporation.
- "MEGA Super Dynamic" and "1-PRO SmartHD" logos are trademarks or registered trademarks of Panasonic Corporation.
- ONVIF and the ONVIF logo are trademarks of ONVIF Inc.

Important

- Safety Precaution: Carefully read the Important Information, Installation Guide and operating instructions before using this product.
- Panasonic cannot be responsible for the performance of the network and/or other manufacturers' products used on the network.

DISTRIBUTED BY:

Panasonic

<http://security.panasonic.com>

<http://www.facebook.com/PanasonicNetworkCamera>

(2A-076EA)